



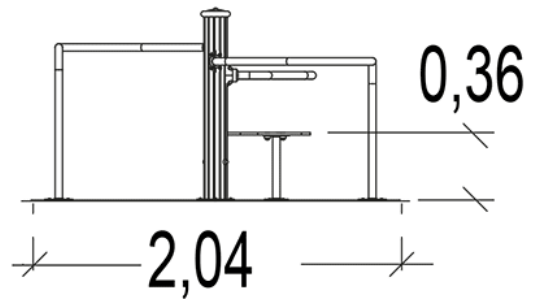
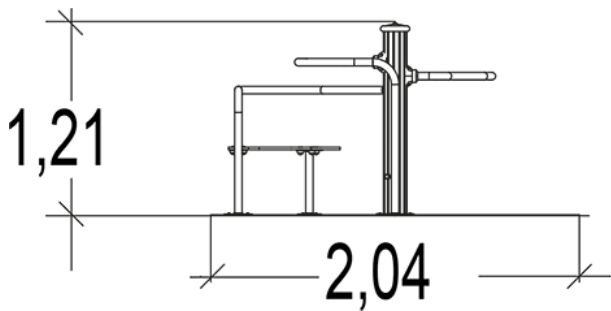
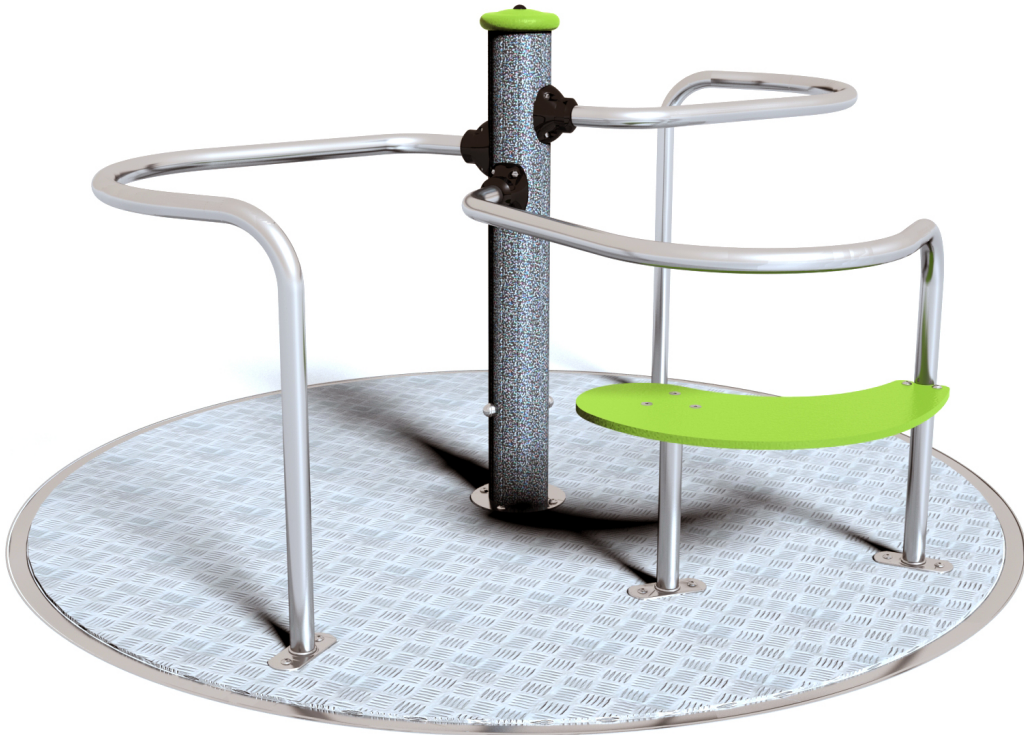
 2+ | 
  6 | 
  1m | 
  1 = 2,1m 2 = 2,1m 3 = 1m

 Motor disability    
 Sensorial disabilities    
 Learning disabilities



Play value : 3

balancing

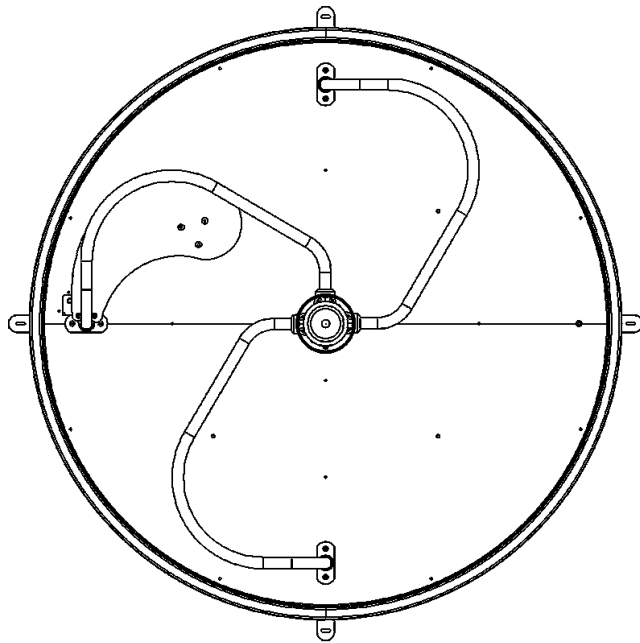


meeting



rotating

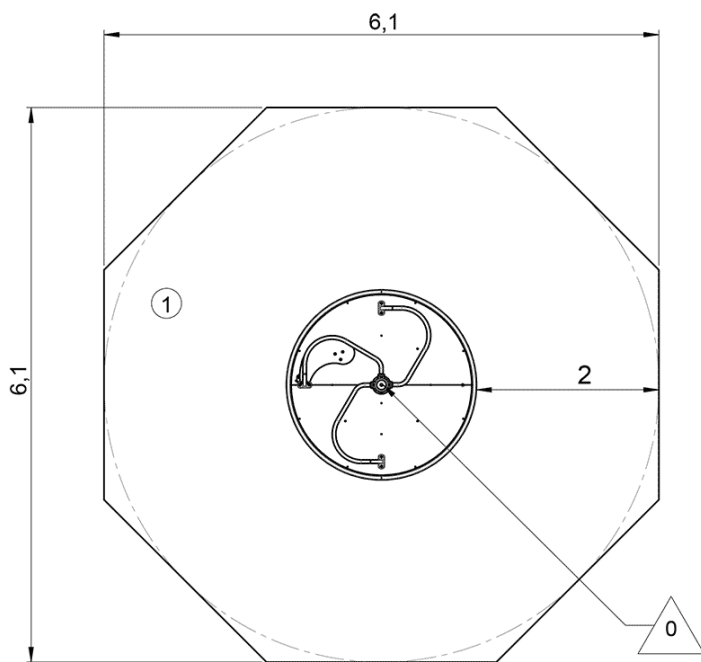













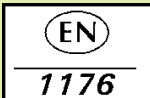

## Installation of equipment

Impact area =

-  Impact area
-  Free space



		
1	1m	27,5m <sup>2</sup>

								
2	03h00	0.4m <sup>3</sup>	27.5m <sup>2</sup>	256kg	225kg			2017-09-14