



0.5+

12

1m

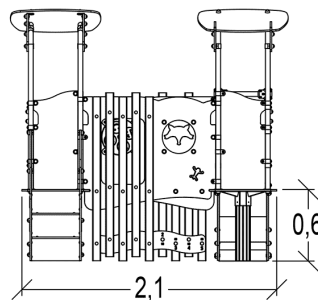
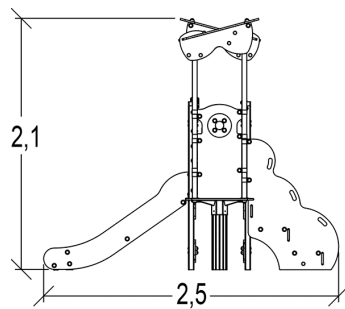
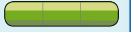
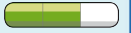
1 = 2,48m 2 = 2,15m 3 = 2,12m



Motor disability

Sensorial disabilities

Learning disabilities



Play value :

15

role play



x2

sliding



x1

meeting



x1

handling



x1

crawling



x1

hiding



x2

taking shelter



x1

thinking



x1

tactile stimulation



x1

visual stimulation



x2

climbing

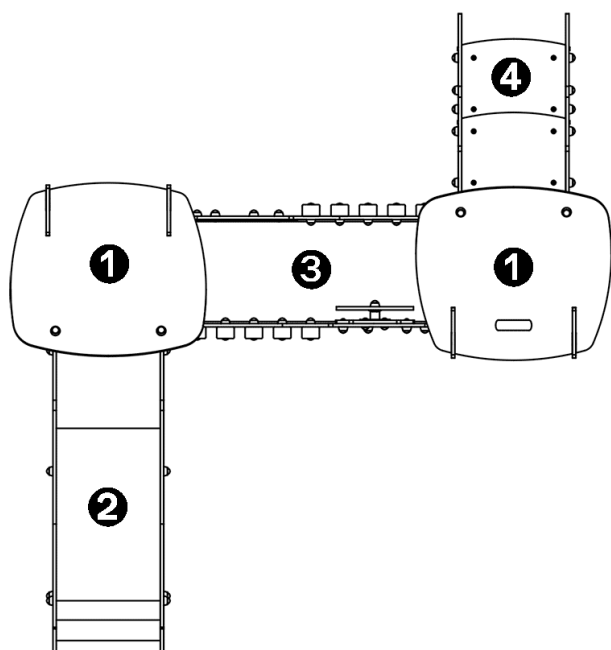


x1

getting across



x1

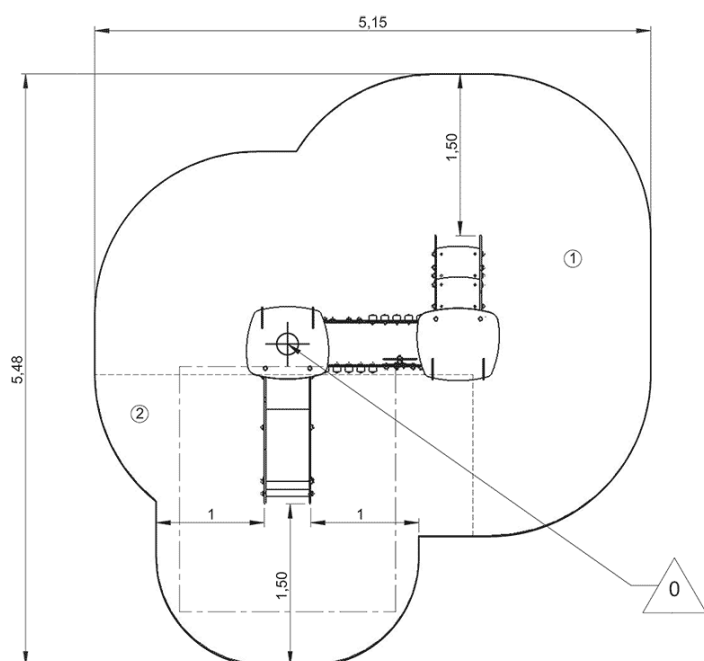


- ① Platform HT: 0.6m
- ② Slide HT: 0.6m
- ③ PASSERELLE BOIS DIABOLO PETITE ENFANCE
- ④ ESCALIER DIABOLO PETITE ENFANCE

Installation of equipment

Impact area =

- Impact area
- Free space



1	0,6m	14m ²
2	1m	7,5m ²



2



03h30



0.16m³



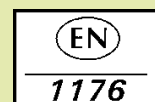
21.5m²



212kg



12kg



Proludic

0000-00-00