



5+



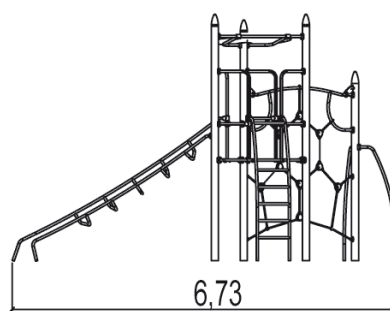
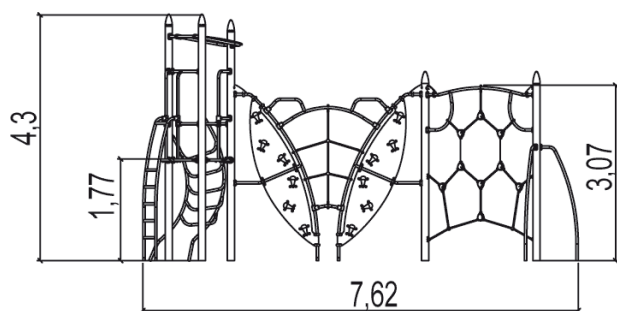
15



3m



1 = 7,62m 2 = 6,73m 3 = 4,3m



Play value : 9

climbing



x1

meeting



x1

taking shelter



x1

climbing

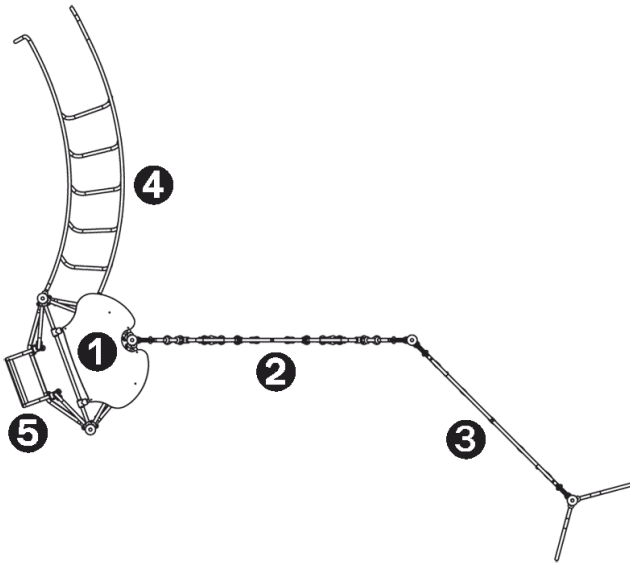


x4

getting across



x2

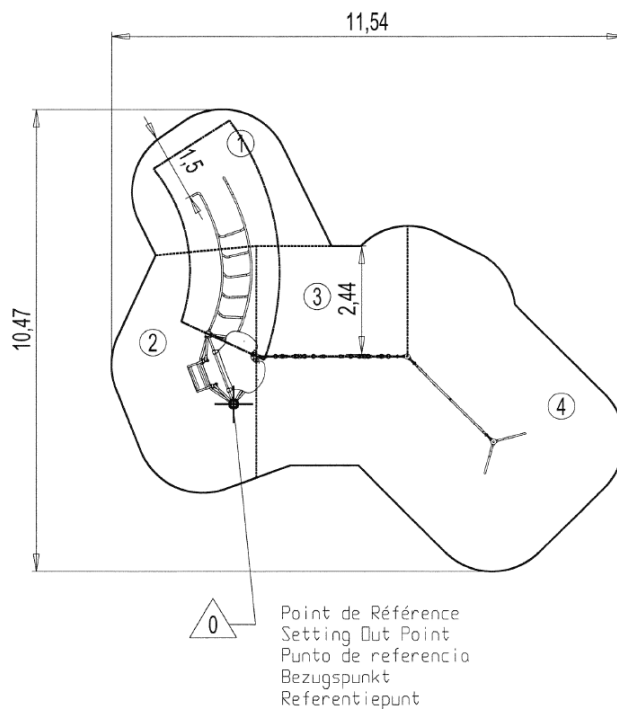


- ❶ Tube platform - 3 posts HT: 1.77m
- ❷ Butterfly wall
- ❸ Star net
- ❹ The Torrent
- ❺ Curved ladder HT: 1.77m

Installation of equipment

Impact area =

- Impact area
- Free space



1	1,3m	11,5m ²
2	1,77m	15m ²
3	2,9m	9m ²
4	3m	35,5m ²



2



11h00



0.5m³



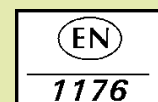
70m²



453kg



34kg



2013-01-04