



2+



2



1,4m



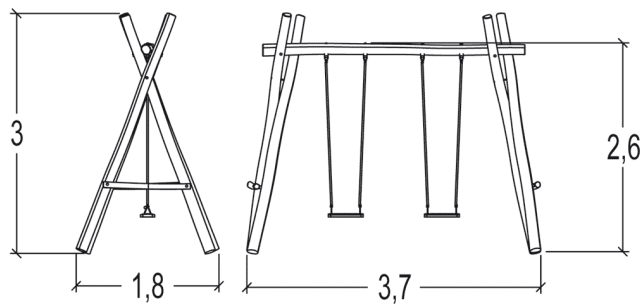
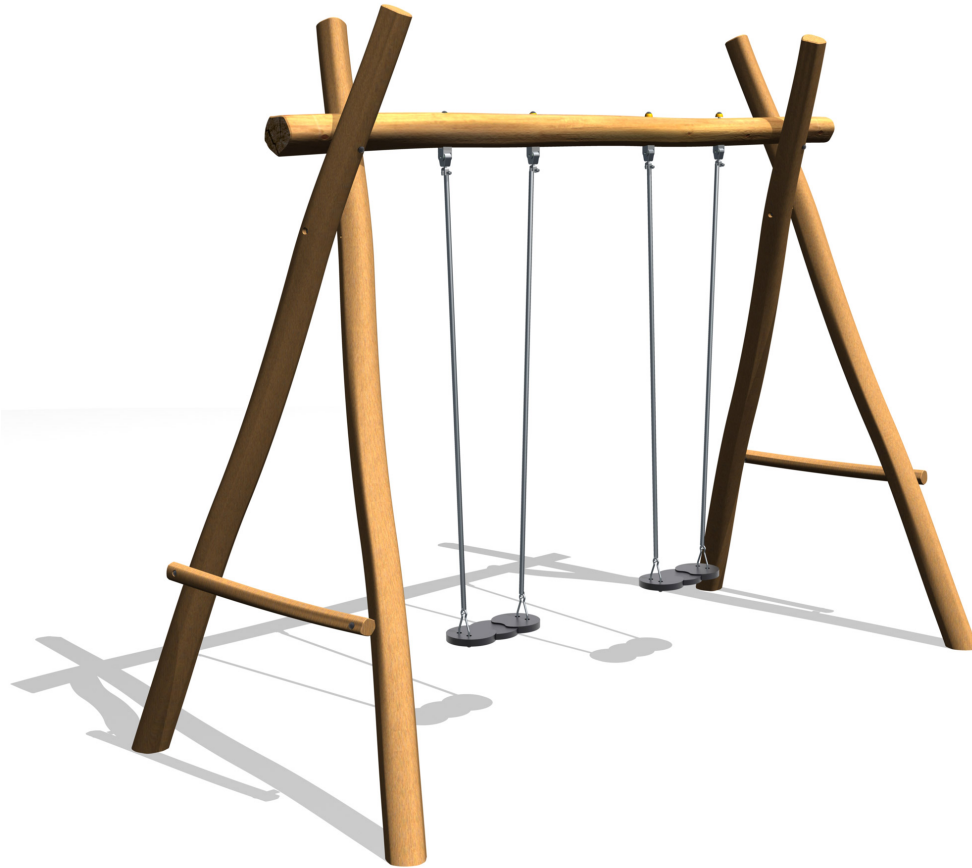
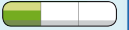
1 = 3,7m 2 = 1,8m 3 = 3m



Motor disability

Sensorial disabilities

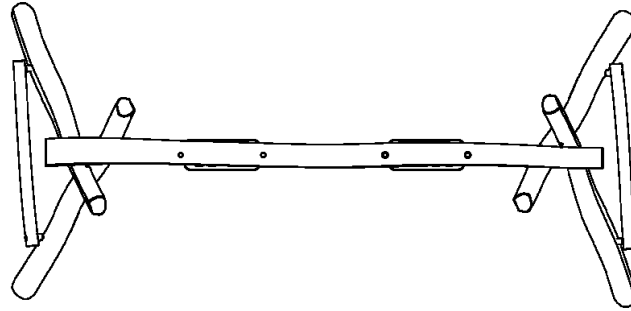
Learning disabilities



Play value : 1

swinging

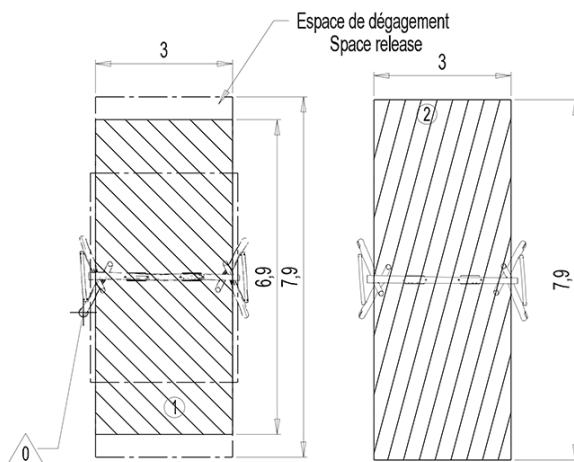





Installation of equipment


Impact area =


 Impact area
 Free space





Point de Référence
 Setting Out Point
 Punto de referencia
 Bezugspunkt

 Zone d'Impact Sol souple
 Impact Area Wetpour
 Area de Impacto
 Fallraum bei synthetischen Fallschutz

 Zone d'Impact Sol fluent
 Impact Area Loose particle material
 Arenero
 Fallraum bei losen Bodenmaterial

 Espace de dégagement
 Space release

		
1	1,4m	21m ²
2	1,4m	24m ²



2



02h30



0.32m³



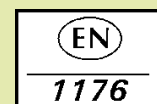
28.5m²



254kg



46kg



Proludic

2014-05-19