



2+



5



1,55m



1 = 3,7m 2 = 1,8m 3 = 3m



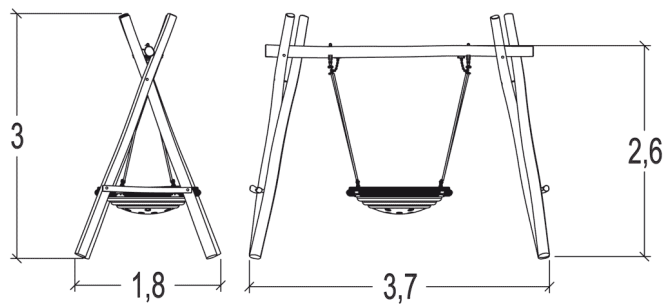
Motor disability



Sensorial disabilities



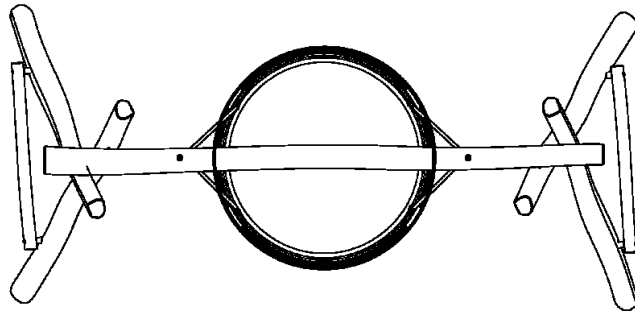
Learning disabilities



Play value : 1

swinging

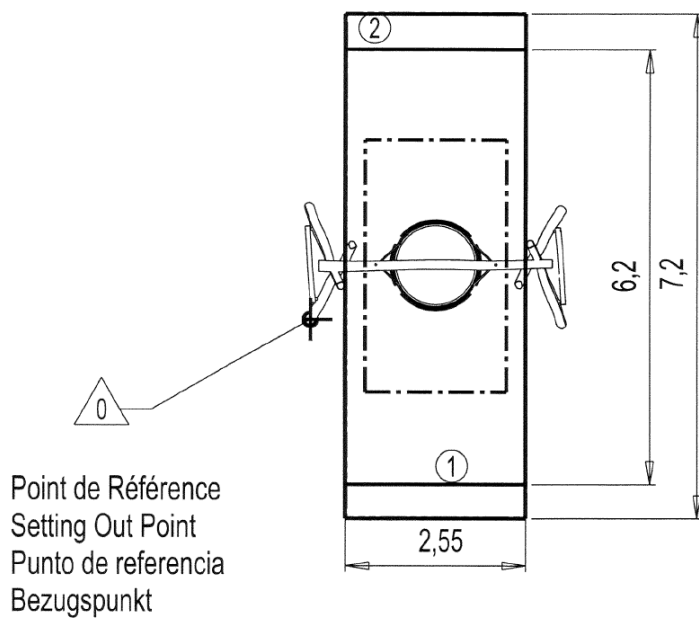






## Installation of equipment

Impact area =

-  Impact area
-  Free space



		
1	1,55m	16m <sup>2</sup>
2	1,55m	19m <sup>2</sup>



2



02h30



0.32m<sup>3</sup>



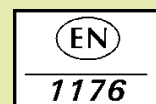
16m<sup>2</sup>



275kg



46kg



*Proludic*

2014-05-19