



3+



2



1,17m

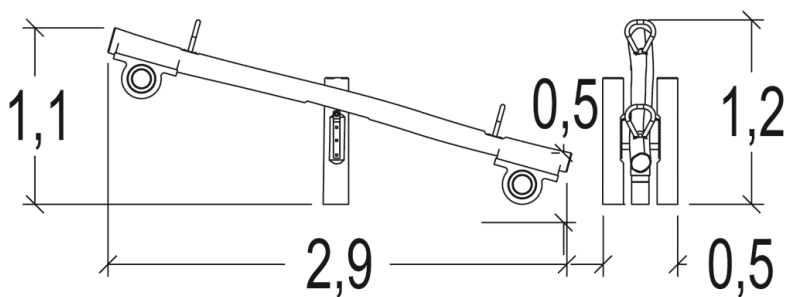
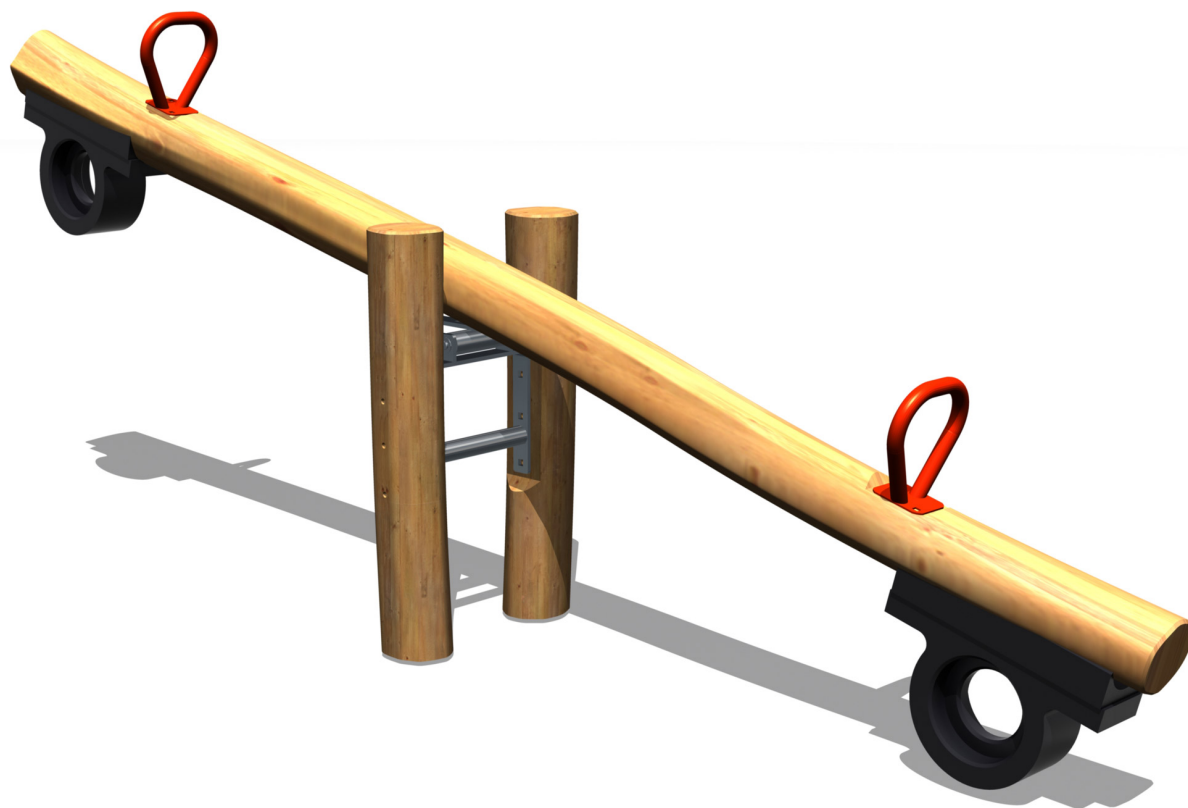


1 = 2,94m 2 = 0,5m 3 = 1,12m



Motor disabilities
 Sensorial disabilities
 Learning disabilities

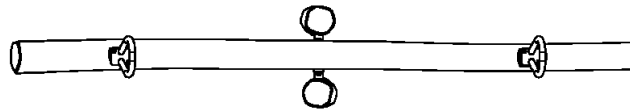
Progress bars for accessibility: Motor disabilities (empty), Sensorial disabilities (partially filled), Learning disabilities (empty).



Play value : 1

swinging

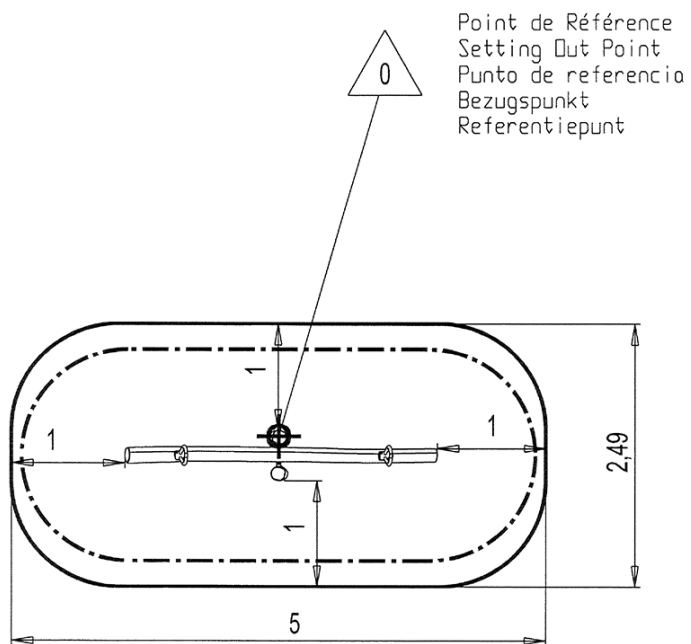




Installation of equipment

Impact area =

- Impact area
- Free space



1	1,17m	12m ²



2



01h00



0.16m³



12m²



85kg



37kg



2014-05-19