



2+



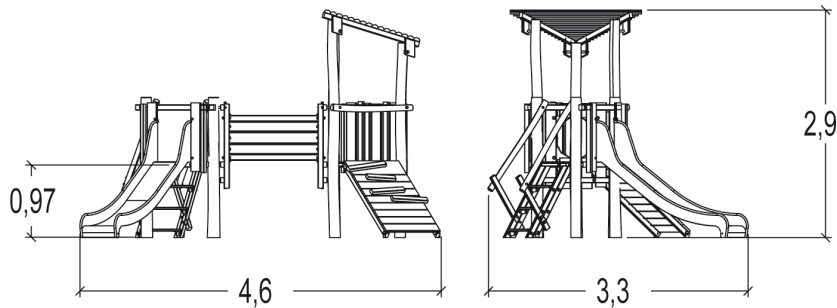
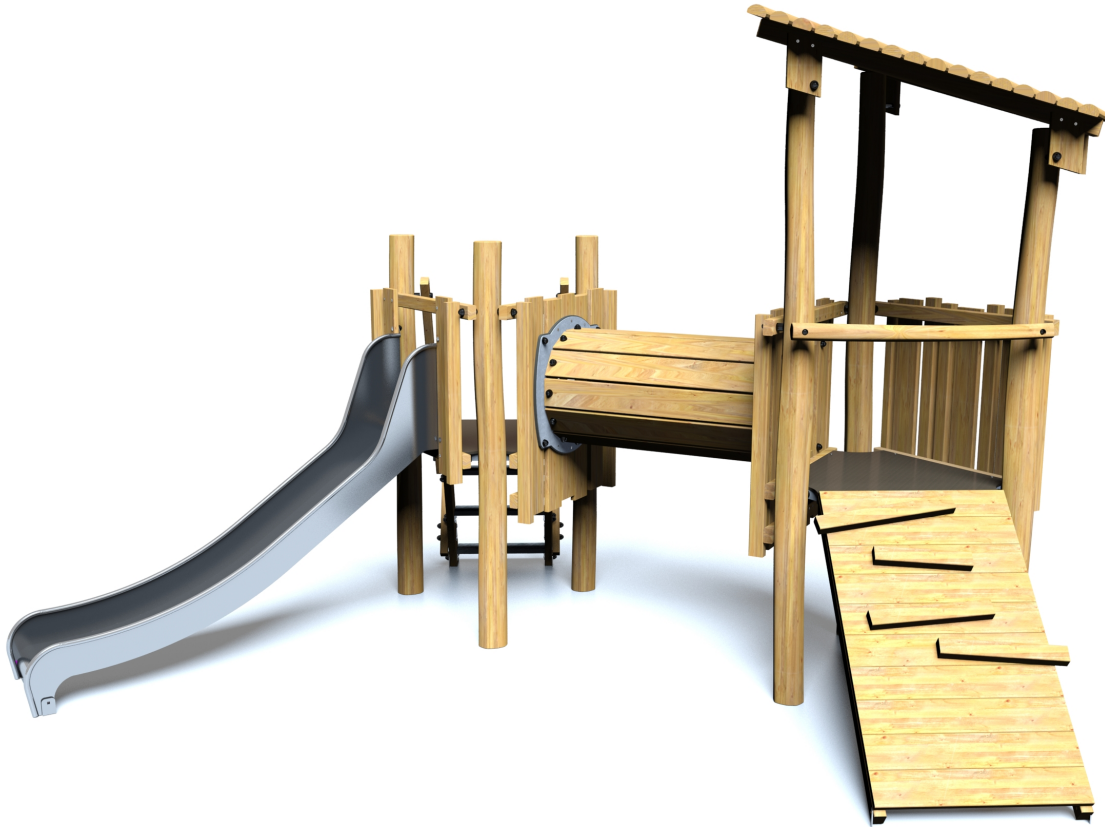
12



1m



1 = 3,3m 2 = 4,6m 3 = 2,9m



Play value : 10

role play



x1

sliding



x1

meeting



x2

crawling



x1

hiding



x1

taking shelter



x1

climbing

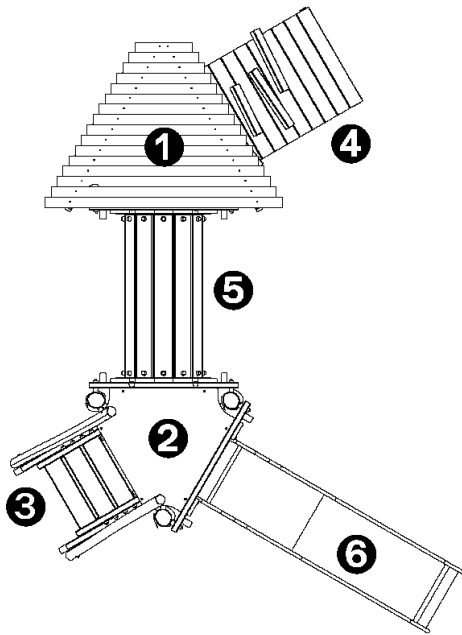


x2

getting across



x1

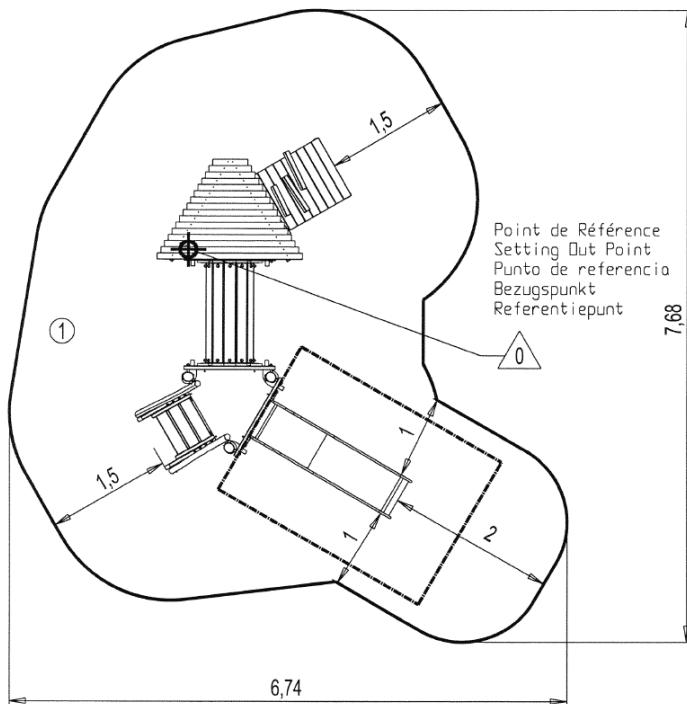


- ① Roof
- ② Platform Ht: 0.97m
- ③ Stairs
- ④ Sloping ramp with logs Ht: 0.97m
- ⑤ Tunnel
- ⑥ Slide Ht: 0.97m

## Installation of equipment

Impact area =

- Impact area
- Free space



1	1m	36m <sup>2</sup>

2	12h00	0m <sup>3</sup>	36m <sup>2</sup>	578kg	42kg		2014-03-07