



2+



1



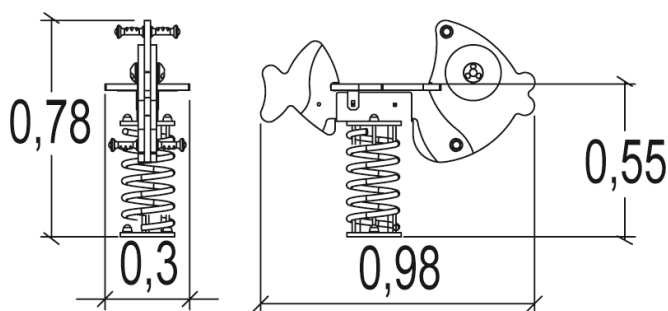
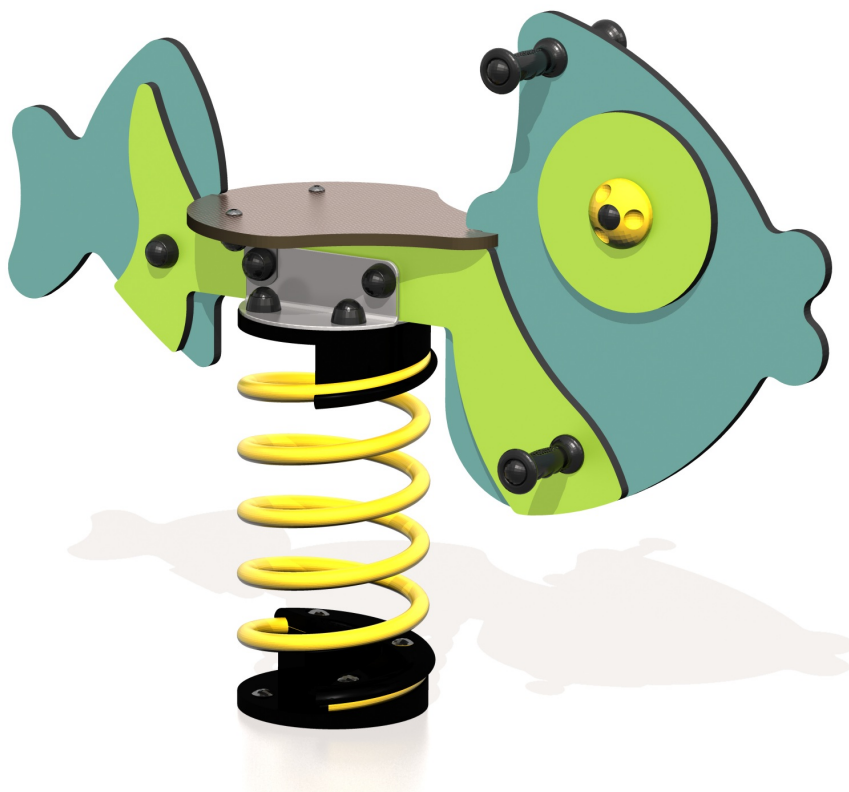
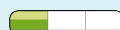
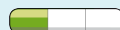
0,6m



1 = 0,98m 2 = 0,3m 3 = 0,78m



Motor disabilities
 Sensorial disabilities
 Learning disabilities



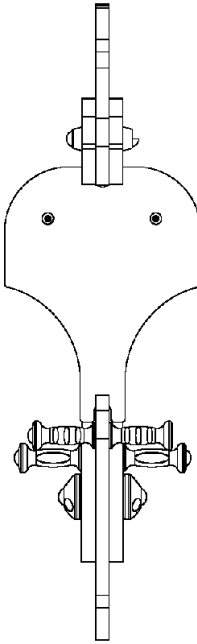
Play value : 2

swinging



balancing

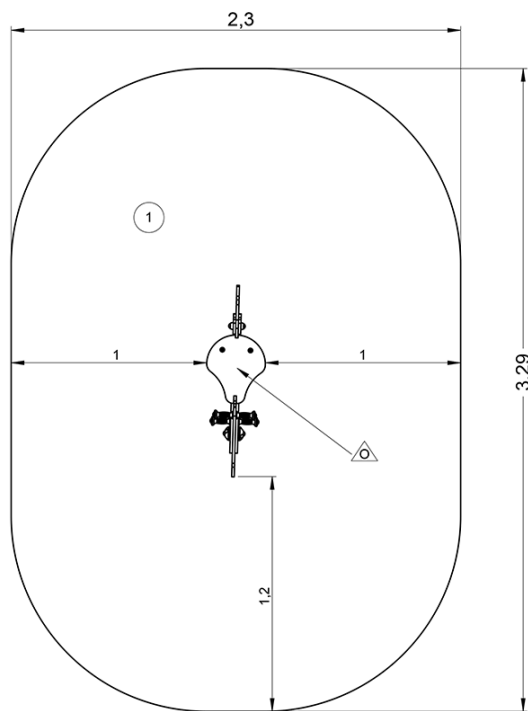






Installation of equipment

Impact area =

 Impact area
 Free space



		
1	0,6m	7m ²



1



01h00



0m³



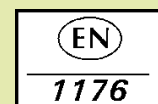
7m²



28kg



10kg



2003-10-15