



2-8



1



0,6m



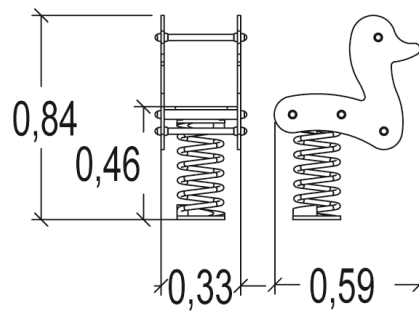
1 = 0,6m 2 = 0,33m 3 = 0,84m



Motor disability

Sensorial disabilities

Learning disabilities



Play value :

3

swinging

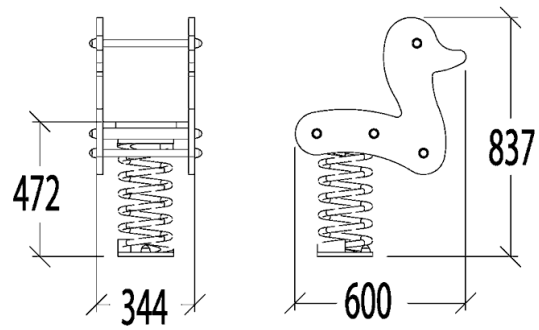


balancing



meeting / role play

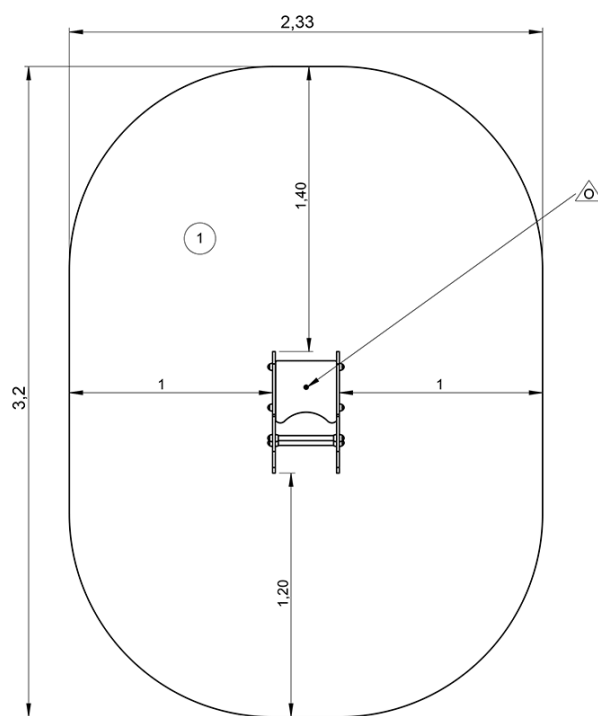






Installation of equipment

Impact area =

 Impact area
 Free space



		
1	0,6,m	7m ²



1



01h00



0m³



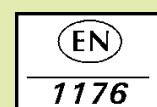
7m²



27kg



11kg



Proludic

2006-04-01