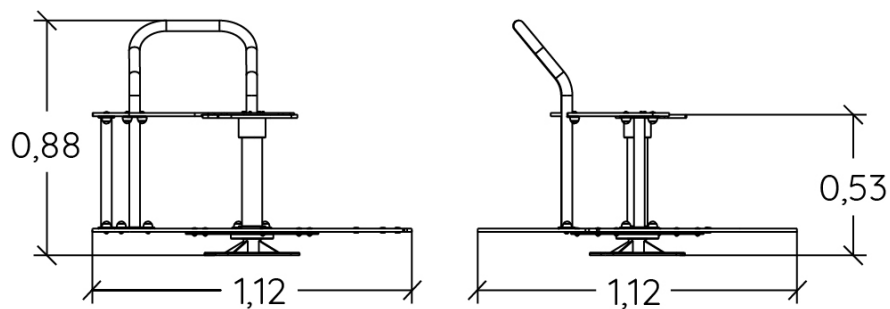
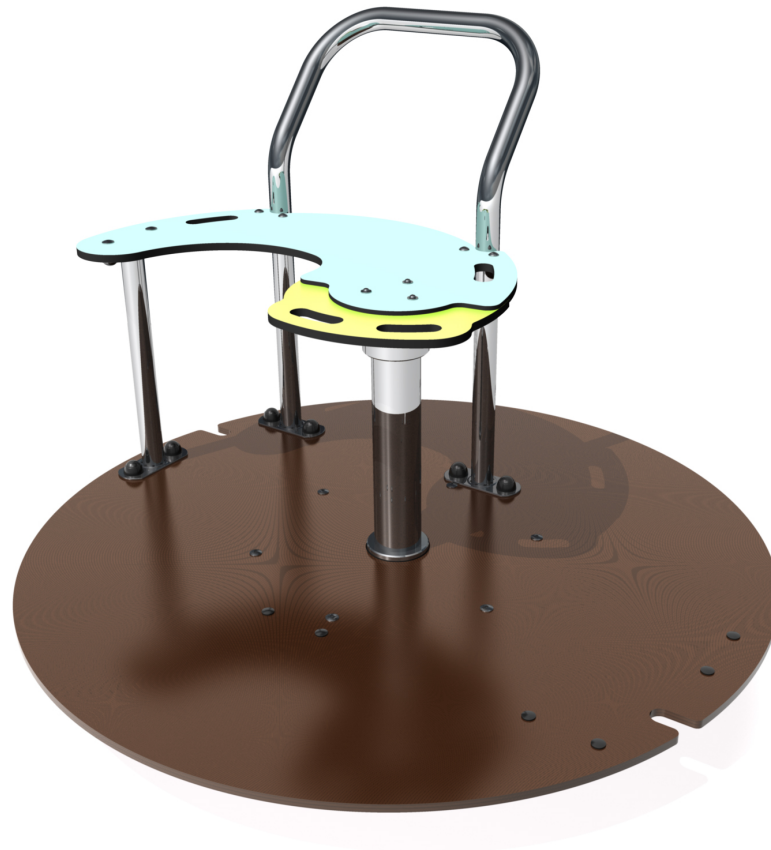


Physical inclusion
Sensory inclusion
Cognitive inclusion



Play value : **3**

meeting



x1

balancing



x1

rotating

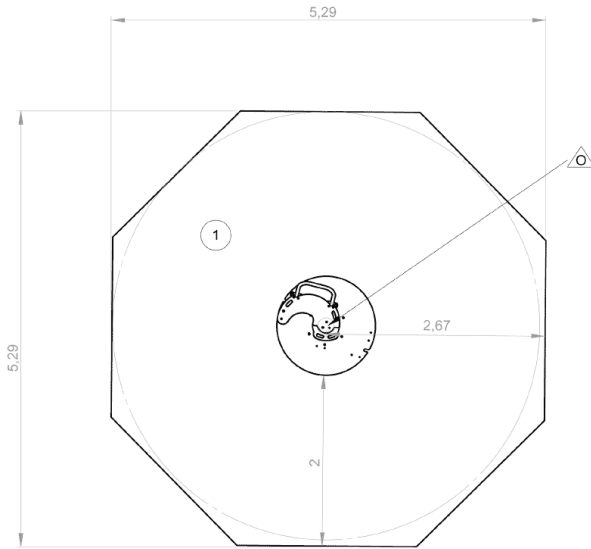


x1

Installation of equipment

IMPORTANT: It is essential to refer to the installation instructions for information on the size of the safety areas.

- Impact area (minimum normative surface)
- Free space



1	 1m	 23m ²
---	--------	----------------------



1



03h00



0.3m³



23m²



85kg



75kg



Environmental Indicators

Repairability



9,17 /10

Carbon footprint



2,98 KgCO₂/Kg

Recyclable materials



58,70%

ECO-matériaux: 58%

Recycled materials



37,99%

Bio-sourced materials



21,40%