



2+



58



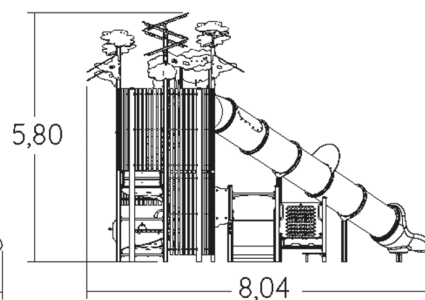
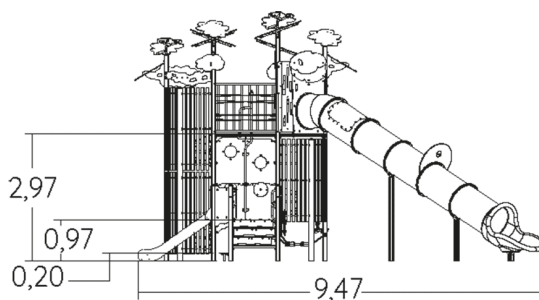
2,97m



1 = 9,47m  
2 = 8,04m  
3 = 5,8m



Physical inclusion  
Sensory inclusion  
Cognitive inclusion



Play value :

48

role play



x4

sliding



x2

meeting



x4

resting



x3

handling



x6

swinging



x3

hiding



x1

balancing



x1

thinking



x4

sound stimulation



x1

tactile stimulation



x6

visual stimulation



x7

climbing



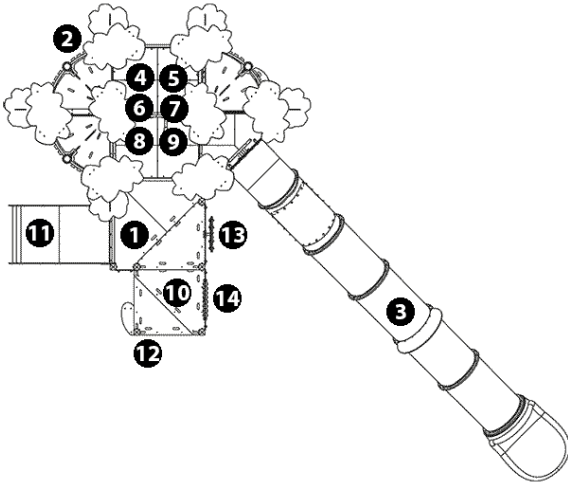
x5

getting across



x1

## Components

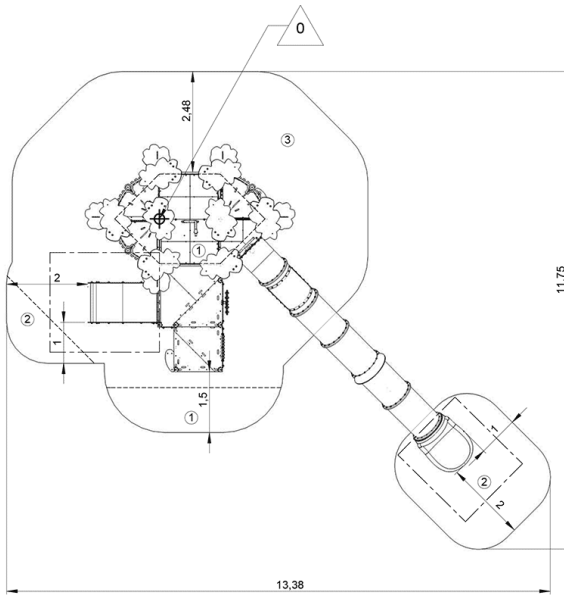


- ❶ Plate-forme Kayop inclusive Ht : 2.97 m
- ❷ Nappe de grimpe souple
- ❸ Toboggan tubulaire avec hublot Ht : 2,97 m
- ❹ Assises suspendues 3 places
- ❺ Shop
- ❻ Panneau Smiley
- ❼ Labyrinthe Kanopé
- ❽ Hublot
- ❾ Play porthole
- ❿ Plate-forme transfert Ht : 0.97 m
- ⓫ Toboggan Ht : 0.97 m
- ⓬ Escalier transfert
- ⓭ Panneau disques/labyrinthe
- ⓮ Panneau ludique boulier

## Installation of equipment

**IMPORTANT:** It is essential to refer to the installation instructions for information on the size of the safety areas.

- Impact area (minimum normative surface)
- Free space



1	0,6m	3,5m <sup>2</sup>
2	1m	8m <sup>2</sup>
3	2,97m	51m <sup>2</sup>



3



25h00



2.5m<sup>3</sup>



72.5m<sup>2</sup>



2341kg



41kg

EN  
1176

## Environmental Indicators

Repairability



9,43 /10

Carbon footprint



2,92 KgCO<sub>2</sub>/Kg

Recyclable materials



71,50%

ECO-matériaux: 58%

Recycled materials



49,15%

Bio-sourced materials



9,49%