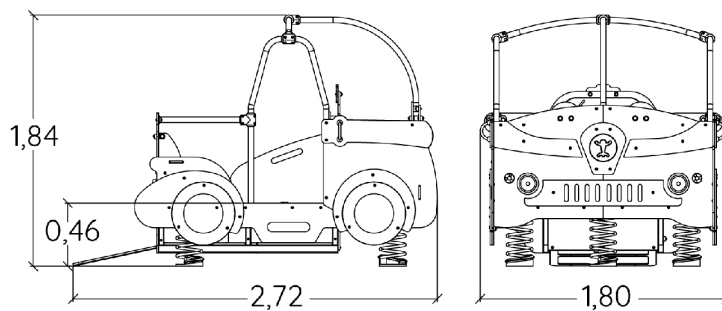


Physical inclusion
Sensory inclusion
Cognitive inclusion





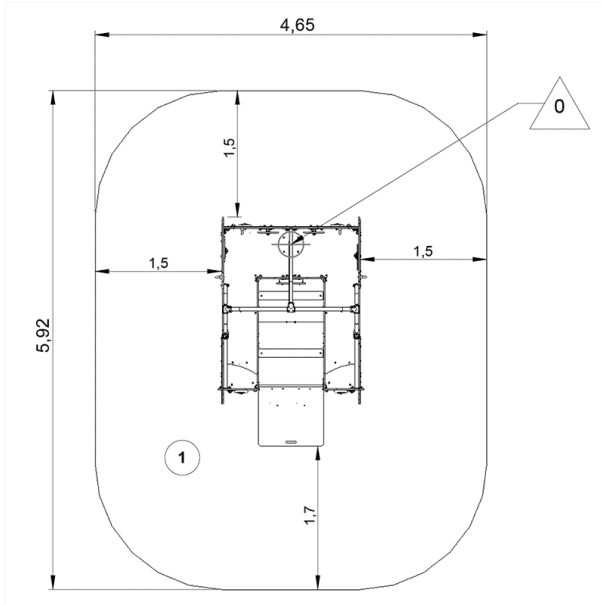
Play value : **16**



role play	meeting	resting	handling	sound stimulation	tactile stimulation	visual stimulation	Oscillate
x1	x1	x2	x4	x1	x5	x1	x1

Installation of equipment

IMPORTANT: It is essential to refer to the installation instructions for information on the size of the safety areas.

-  Impact area (minimum normative surface)
-  Free space



		
1	0,6m	26m ²



2



04h00



0m³



26m²



396kg



50kg

EN
1176

Environmental Indicators

Repairability



9,17 /10

Carbon footprint



3,62 KgCO₂/Kg

Recyclable materials



44,33%

ECO-matériaux: 70%

Recycled materials



58,41%

Bio-sourced materials



12,93%